

T5 LED Light Fixture 120VAC, 60Hz; P/N: L-LT5 (available in 6 lengths, see below)

Included: Power Cord, Back-to-Back Link, 90-Degree Adaptor, Plastic U-Clips and Mounting Screws.

Optional: Accessories available - Touch On/Off Switch, Roll Switch, Metal U-Clips, Hardwire Boxes, and Link Cords (available in 5 lengths, see below).

Installation Instructions

T5 LED Lights - 120V

Linkable LED Light Strips

Non-dimmable

READ ALL INSTRUCTIONS BEFORE INSTALLING LIGHTS

Before beginning installation, be sure power is turned OFF to light system. Remove Dust Cover Before Using Portable Luminaire

To begin installation, roughly lay out lighting system to help verify final positioning of all components and cord lengths. Be sure wires will properly reach the 120V power source.

1. Determine exact position of Light Fixture(s).

When determining Light Fixture position, note which end of the Light the Power Cord plugs into, and that the On/Off Switch is easily accessible.

Also determine if you'll be using Straight U-Clips or 90-Degree U-Clips. U-Clips are included. (see figure #1)

2. To mount Light Fixture, use (1) pair of U-Clips with screws provided. U-Clips should be positioned near both ends of the Fixture, but be sure position of U-Clip does not interfere with the On/Off Switch.

After you mark exact position of U-Clips, drill 1.5mm (1/16") pilot holes for screws. Screw in U-Clips. Then snap Fixture into U-Clips. (see fig. #2)

Linking Options: If installing Lights in a series, they can be linked together using the following options:

- A) a Back-to-Back Link** for a direct link from Light to Light (see fig. #3),
- B) a 90-Degree Adaptor** which requires a Link Cord (see fig. #4),
- C) a Link Cord** (see fig. #5)

3. When installing more than one Light in a series, remove End Cap from the first Light to allow you to link to the next Light with one of the three options listed above. Then continue to mount and link additional Lights as needed. (see fig. #6).

All Cords can either: (a) feed through a hole; or (b) run along mounting surface (shelf). Drill 19mm (3/4") holes if needed. **See Safety Instructions for routing Cords.**

Note: Use only insulated staples or plastic ties to secure cords.

4. Plug 1.83m (72") Power Cord (included) into first Light. (see fig. #7). If spacing is more than 1.83m (72"), a Link Cord may be used as an extension.

If the Power Cord needs to be redirected at a 90° angle when plugged into the first Light, use the 90-Degree Adaptor. (see fig. #8)

Note: Maximum length of cord from Light to 120V power source should not exceed 3m (10 ft.).

5. Finally, double-check all connections and then plug Power Cord into 120V power source.

NOTE: When Lights are installed in a series, all On/Off Switches are independent of one another, i.e. the first Light does not need to be 'on' to turn on other Lights, etc. Fixtures are non-dimmable.

Light Fixture Lengths & Maximum Links in a Series:

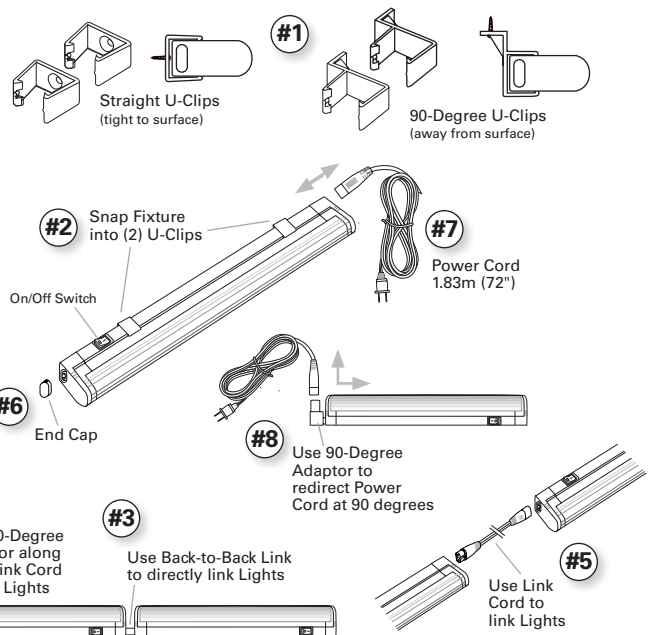
T5 LED P/Ns	Length	Max. Lights	Total Watts
L-LT53W-267	267mm (10-1/2")	3W / 20 pcs.	60W
L-LT54W-343	343mm (13-1/2")	4W / 20 pcs.	80W
L-LT57W-571	571mm (22-1/2")	7W / 12 pcs.	84W
L-LT514W-904	904mm (35-1/2")	14W / 8 pcs.	112W
L-LT518W-1204	1204mm (47-1/2")	18W / 6 pcs.	108W
L-LT525W-1504	1504mm (59-1/4")	25W / 6 pcs.	150W

If Lights with different lengths are used in a series, do NOT exceed 150W or 10 total fixtures, whichever is reached first.

Available in White or Black; and Warm (3000K), Cool (5000K), or Daylight (6500K).

Link Cords are available in White or Black in the following lengths:

15cm (6"), 25cm (10"), 60cm (24"), 120cm (48"), and 180cm (72").



IMPORTANT SAFETY INSTRUCTIONS - SAVE!

CAUTION – To reduce the risk of fire, electric shock, or injury to persons:

- Not intended to be used in damp locations or outdoor areas.
 - Not intended for recessed installation in ceilings or soffits.
 - Not intended for surface installation inside furnishings that are constructed within a wall, such as built-in china cabinets or trophy cases.
 - Fixture is double-insulated with a plastic enclosure and should NOT be grounded.
 - LEDs are not replaceable. To avoid an electric shock do NOT remove Lens Cover.
 - Use only insulated staples or plastic ties to secure cords.
 - Route and secure cords so that they will not be pinched or damaged when the cabinet is pushed to the wall.
 - The National Electrical Code (NEC) does not permit cords to be concealed where damage to insulation may go unnoticed. To prevent fire danger, do not run cord behind walls, ceilings, soffits, or cabinets where it may be inaccessible for examination. Cords should be visually examined periodically and immediately replaced when any damage is noted.
 - This portable luminaire has a polarized plug (one blade is wider than the other) as a feature to reduce the risk of electric shock. This plug will fit in a polarized outlet only one way. If the plug does not fit fully in the outlet, reverse the plug. If it still does not fit, contact a qualified electrician. Never use with an extension cord unless plug can be fully inserted. Do not alter the plug.
- This light is intended to be used as a cabinet light on wood, particle board or other structurally sound, heat resistant surface. Care should be taken during and after installation to avoid contact of light with wiring, cord, or any combustible material.

CONSIGNES DE SÉCURITÉ IMPORTANTES - CONSERVER!

MISE EN GARDE – Afin de réduire les risques d'incendie, de décharge électrique ou de blessures :

- Cet appareil n'est pas conçu pour les emplacements humides ou pour une installation à l'extérieur.
- Cet appareil n'est pas conçu pour une installation encastrée au plafond ou dans les retombées de plafond.
- Cet appareil n'est pas conçu pour une installation en surface dans un meuble encastré dans un mur, comme un vaisselier ou un présentoir pour trophées encastré.
- L'appareil comporte une double isolation et est muni d'une enceinte en plastique; il ne doit PAS être mis à la terre.
- Les DEL ne sont pas remplaçables. Pour éviter les risques de décharge électrique, ne PAS lever le couvercle de la lentille.
- Utiliser uniquement des agrafes isolées ou des liens en plastique pour fixer les cordons d'alimentation.
- Acheminer et fixer les cordons d'alimentation de manière à ce qu'ils ne soient pas pincés ou endommagés lorsque le boîtier est appuyé contre le mur.
- Le Code national de l'électricité (CNE) ne permet pas que les cordons d'alimentation soient cachés, afin qu'une isolation endommagée ne puisse passer inaperçue. Pour réduire les risques d'incendie, ne pas acheminer le cordon d'alimentation dans les murs, les plafonds, les retombées de plafond ou les armoires, où il serait inaccessible et ne pourrait être examiné. Les cordons d'alimentation doivent être régulièrement inspectés visuellement et être immédiatement remplacés s'ils sont endommagés.
- Ce luminaire portatif comporte une fiche polarisée (une lame est plus large que l'autre) afin de réduire les risques de décharge électrique. Cette fiche ne peut entrer que dans un sens dans une prise de courant polarisée. Si la fiche n'entre pas complètement dans la prise de courant, l'entrer dans l'autre sens. Si elle n'entre pas non plus, consulter un électricien qualifié. Ne jamais utiliser ce produit avec une rallonge à moins que la fiche n'entre complètement. Ne pas modifier la fiche.



Tresco Lighting by Rev-A-Shelf

12400 Earl Jones Way
Louisville, KY 40299

Tel: 800-227-1171

Fax: 502-491-2215

Email: cservice@trescolighting.com

Web: www.trescolighting.com

